

WS 76

Semi-Con Shaving Tool

Instruction Sheet

Patent Pending


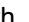

Warning! This tool should not be used on live electrical circuits. It is not protected against electrical shock! Always use OSHA/ANSI or other industry approved eye protection when using tools. This tool is not to be used for purposes other than intended. Read carefully and understand instructions before using this tool.

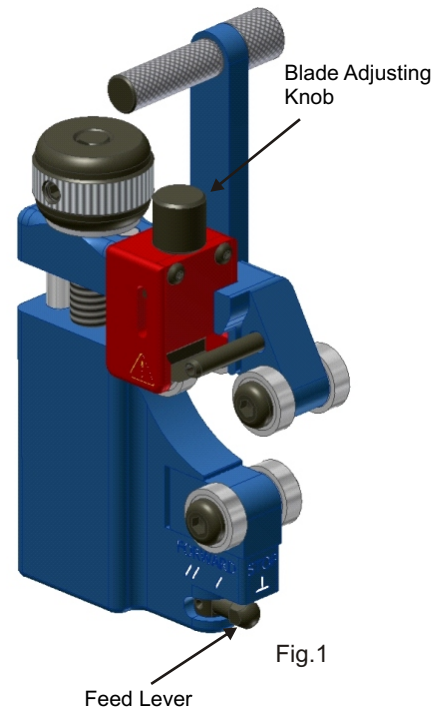
The WS76 Semi-con Shaving Tool is used to remove bonded semi-con from 5-35kv power cable. The cable size range is 18mm to 60mm (.70 - 2.4") diameter over the semi-con screen with semi-con thickness up to 2.4mm (.095") thick.

Tool Features

- blade shape design provides superior finish on shaved insulation
- precision blade depth adjustment with 0.1 mm (.004") depth increments.
- multiple indexing tool feed positions for improved performance
- reverse feed blade feature allows for short semi-con to jacket length clearances
- 20 degree chamfer at semi-con end.
- easy blade replacement without the need for additional tools.

Operating Instructions

1. Retract the blade to its highest position by turning the blade adjusting knob counterclockwise.
2. Open the tool and secure it on the cable about 25-50 mm from cable end.
3. Turn blade adjusting knob clockwise until blade touches semi-con screen.
4. Re-position tool at cable end.
5. Lower the blade depth to the approximate thickness of the semi-con. Each indexing adjustment of the blade moves it 0.1mm.
6. Set the feed lever in either the #1  or the #2  feed position. The width of the shave is narrower in the #1 position, wider in the #2 position.
7. Rotate the tool clockwise and observe the shaving results.
8. If necessary, re-adjust the blade depth and feed lever for the best shaving result.
9. Observe the shaved semi-con strip during operation. During the shaving process, do not allow the strip to get caught under the cable rollers. This will disturb the shaving result. A convenient technique is to wind the shaved semi-con strip around the tool bar handle while shaving (Fig.2). Another option is to guide the strip around the shaved insulation using the winding pin. (See Fig.3 next page)
10. After shaving to the desired length, move the feed lever to the stop  position. Make one full turn to finish the shaving. Remove tool from the cable.



Shaving operation using winding pin. Note the direction of the semi-con strip around the pin.

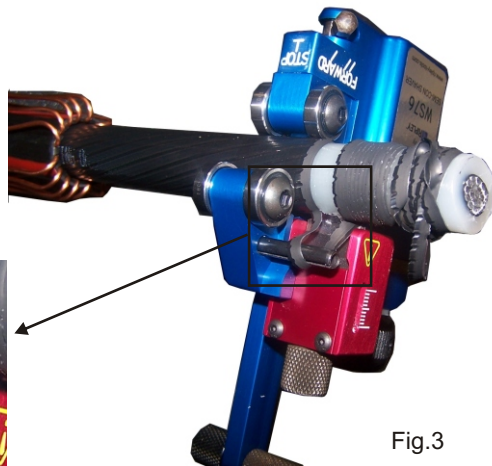
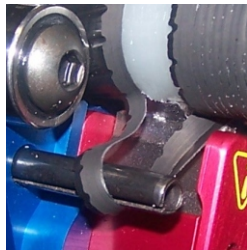


Fig.3

Short clearance reversing feature.

- The standard operation of the WS76 noted previously will shave the semi-con screen up to 25mm (1") from the stripped jacket. (Fig.4a)

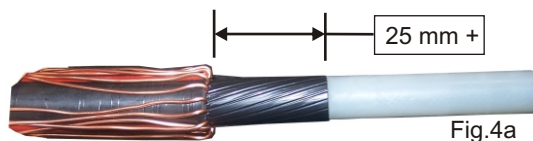


Fig.4a

- If additional screen must be removed, the WS76 tool has the ability to shave semi-con to within 7mm of the stripped cable jacket by using the reversing feature. (Fig.4b)

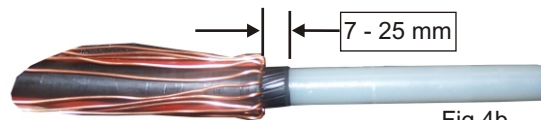


Fig.4b

Operation

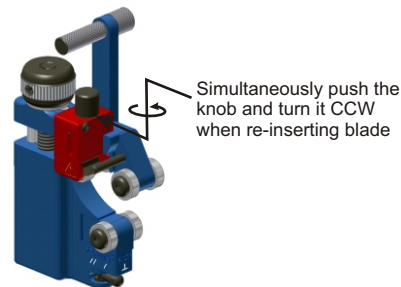
1. Shave the semi-con as noted in the standard operation.
2. Back the blade off by turning adjusting knob counterclockwise.
3. Turn the tool around and secure the tool onto the shaved insulation. (Fig.4c)
4. Re-set the blade depth to the insulation diameter.
5. Set the feed lever in one of the reverse positions, turn the tool counterclockwise, and proceed to shave the semi-con.
6. Observe the depth of the shave and re-adjust if necessary.



Fig.4c

Blade Replacement: CB 285 p/n 43577

Turn the blade adjusting knob clockwise until the blade will disengage from the adjusting knob. Insert the new blade into blade holder. Turn blade adjusting knob counterclockwise to re-secure blade. Note, the adjusting knob is not self aligning. It may require a slight forward pressure on the knob to align the knob to the threaded blade hole.



Simultaneously push the knob and turn it CCW when re-inserting blade

WARRANTY: RIPLEY warrants its products against defective materials and workmanship for a period of one year from date of shipment from the RIPLEY factory provided the product is utilized in accordance with instructions and specified ratings.

