

Instructions for DCS

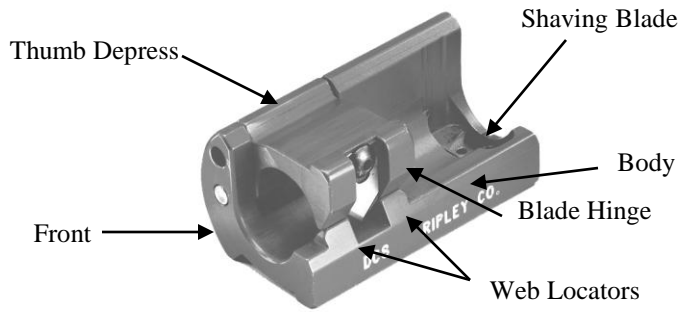
(Drop Cable Slitter)

U.S. Patent 6,131,289

Warning: This tool is not insulated against electrical shock and should be used with electrically insulated gloves. This tool is not to be used for purposes other than intended.

Note: This tool is designed to slit the web on 59, 6, 7 & 11 series messengered and dual cables.

Diagram 1



OPERATING INSTRUCTIONS

Step 1: Place the body of the tool in the palm of right hand with thumb on back of the Blade Hinge as in figure 1.

Step 2: Open the Blade Hinge by pushing down on the back of the Blade Hinge with your thumb as in figure 1.

Step 3: Position the underside of the webbing of the cable on the two Web Locators (see Diagram 1) at the point where the cables will be separated. Insure that the coax cable is placed to the inside of the tool.

Step 4: Close the Blade Hinge with your thumb pressing the blade into the webbing between the cables as in figure 2.

Step 5: Slowly pull the tool toward the end of the cable in a steady motion keeping slight downward thumb pressure on the Blade Hinge. Continue pulling in this manner until the tool is pulled off the end of the cable as in figure 3.

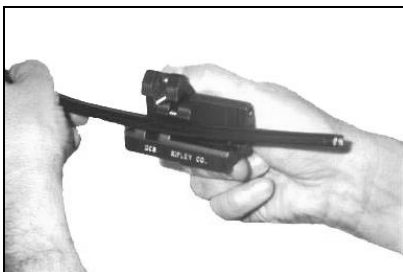


Figure 1



Figure 2



Figure 3

Instructions for DCS - Part 2

REMOVING RESIDUAL WEBBING MATERIAL FROM CABLE

It is necessary to remove the residual webbing material from the cable to allow a connector to be installed. The DCS is equipped with a Shaving Blade, as indicated in Diagram 1, to remove this material. The instructions for removal of this material are as follows:

Step 1: Turn the DCS tool upside down and place it in your hand as in Figure 4. The Shaving Blade should be on the top front of the tool pointing away from you.

Step 2: Place the end of the cable into the slot at the rear of the tool so that 2 or 3 inches of the cable end is extending out of the tool past the Shaving Blade as in Figure 4.

Step 3: Place the webbing material against the Shaving Blade, keeping your index finger under the cable as in figure 4, and push the DCS tool forward. Keep the webbing material in the slot during this process. The excess material will be removed as in Figure 5. Continue until the tool runs off the end of the cable.



Figure 4



Figure 5

LUBRICATION: This tool should be lubricated periodically with WD-40 or other light lubricating oil, at the pivot point that connects the Hinge to the Body of the tool.

Replacement Blades

Item	Desc.	Part #
Slitting Blade	CB 209	36343
Shaving Blade	CB 210	36344

Warranty: RIPLEY warrants its products against defective materials and workmanship for a period of one year from date of shipment from the RIPLEY factory provided the product is utilized in accordance with instructions and specified ratings.



46 Nooks Hill Road
Cromwell, CT 06416
Phone: 800-528-8665
Int'l: (01) 860-635-2200
Fax: (01) 860-635-3631
E-mail: info@ripley-tools.com
Internet: www.ripley-tools.com



36348 rev2 (12-01-12 ff)